

MINIATURE VOLTAGE TRANSFORMERS

Toroidal Core Voltage Transformers

The YUANXING TV series of miniature voltage transformers are designed for applications where AC voltage signals must be transformed accurately into a lower AC voltage signal appropriate for micro-processor based circuits.



The TVxx0x series of toroidal core, PCB voltage transformers are designed specifically for integration into products which require exceptionally accurate primary signal transformation while exposed to harsh environmental operating conditions.

A TV model can be designed and manufactured to meet the specific design challenges of the client's specific application. The following models are only a small sampling of the many different products which have been and are currently being manufactured.

FEATURES

- Low cost
- More than 20 standard sizes
- Non-symmetrical mounting pattern

APPLICATIONS

- For applications that require exceptional accuracy with minimal phase angle error
- Applications would include voltage, power, and energy monitoring devices

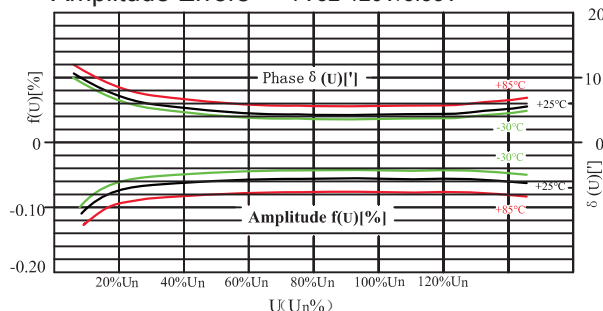
SPECIFICATIONS

- Exterior Material: PBT Resin UL flame retardant rating 94-V0
- Interior Insulation: Epoxy Encapsulated
- Isolation Voltage: 2500 Vrms for 1 minute
- Dielectric Resistance: 1000M Ohms @500 Vdc
- Surge Withstand: 5000V (1.2/50µs standard shock wave) optional
- Rated Load Resistance: 100K Ohms
- Accuracy Class: as defined in IEC 60044-2 Part 2 Voltage Transformers Class 0.1
- Operating Temperature: -25 to +55° C, -40 to +85° C optional
- Frequency: 50 to 400 Hz
- RoHS compliant

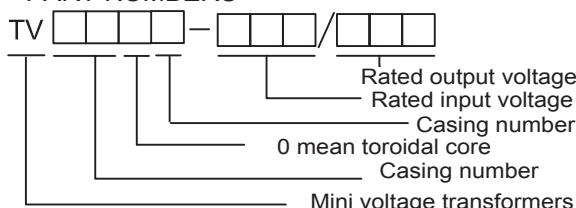
PERFORMANCES



Typical Temperature Dependence of Phase and Amplitude Errors TV52-120V/3.53V



PART NUMBERS



PCB mounted voltage transformers					
Model	Rated Input\Output	Frequency (Hz)	Excitation Current (mA)	Accuracy Class	Outline Dimensions (mm)
TV5202	Input: 57.7V, 100V, 120V, 150V, Output: 0.1V, 0.333V...3.53V...7.07V	50 to 400	≤0.5	0.1	OD-H 32.0-26.0
TV52D02 (stell casing)	Input: 57.7V, 100V, 120V, 150V, Output: 0.1V, 0.333V...3.53V...7.07V	50 to 400	≤0.5	0.1	OD-H 31.0-30.0
TV5402	Input: 150V, 200, 220V, 300V Output: 0.1V, 0.333V...3.53V...7.07V	50 to 400	≤0.5	0.1	OD-H 37.4-28.0
TV3501	Input: 57.7V, 100V, 120V, 150V Output: 0.1V, 0.333V...3.53V...7.07V	50 to 400	≤0.5	0.1	L-W-H 32.0-25.0-34.0
TV39B01	Input: 57.7V, 100V, 120V, 200V Output: 0.1V, 0.333V...3.53V...7.07V	50 to 400	≤0.5	0.1	L-W-H 35.0-32.0-30.0
TV3901	Input: 150V, 220V, 300V Output: 0.1V, 0.333V...3.53V...7.07V	50 to 400	≤0.5	0.1	L-W-H 36.5-31.0-35.0
TV6301	Input: 300V, 380V, 500V, 600V Output: 0.1V, 0.333V...3.53V...7.07V	50 to 400	≤0.5	0.1	L-W-H 47.0-44.0-31.0

SHANDONG YUANXING Electronics Co.,Ltd.

Phone: +86-533-381-8450
Fax: +86-533-381-8724

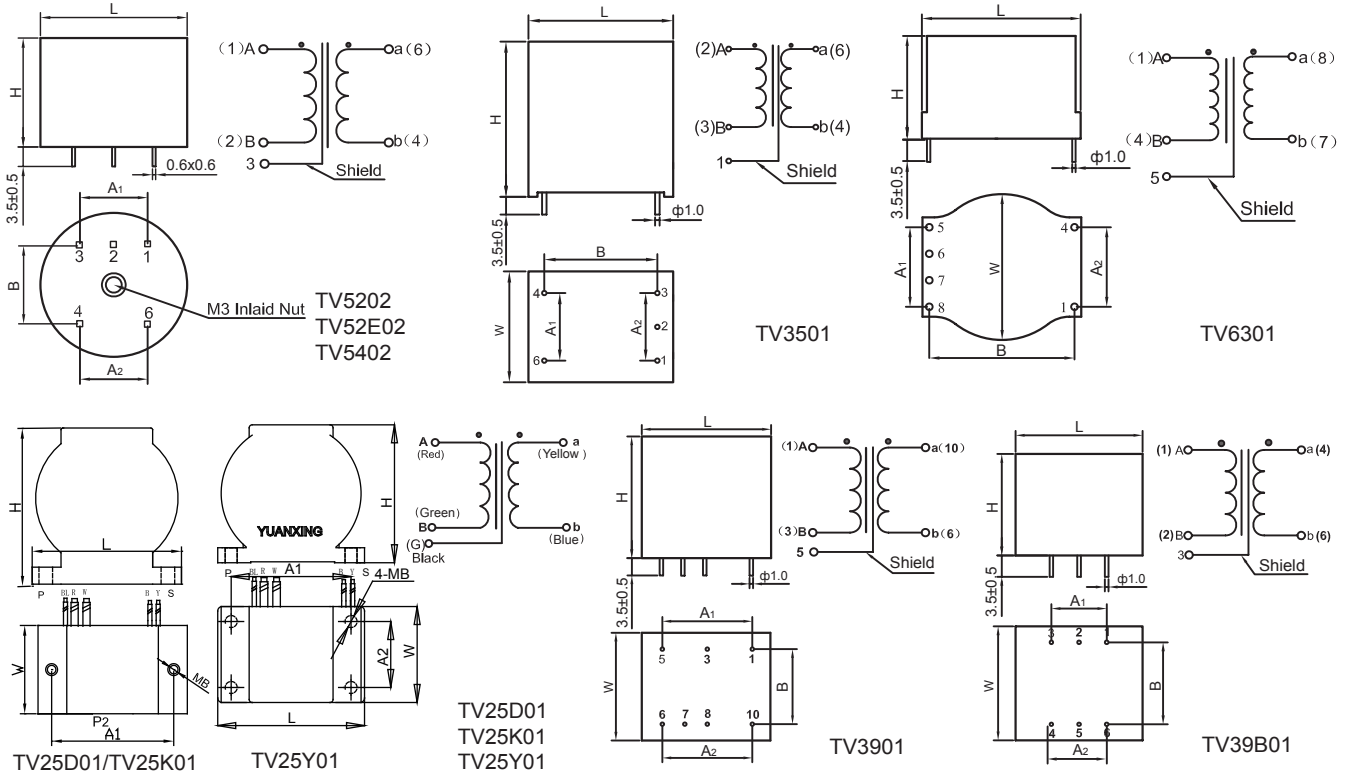
NO.39, QIXIN AVENUE, ZHANGDIAN,
ZIBO, SHANDONG, CHINA 255095

www.yuanxing.net
sales@yuanxing.net

PERFORMANCES

Model	Rated Input/Output	Frequency(Hz)	Excitation Current (mA)	Accuracy Class	Outline Dimensions (mm)
Chassis Mounted voltage transformers					
TV25D01	Input: 150V,220V,300V Output: 0.1V,0.333V...3.53V...7.07V	50 to 400	≤0.5	0.1	L-W-H 50.0-26.0-46.0
TV25K01	Input: 150V,220V,300V Output: 0.1V,0.333V...3.53V...7.07V	50 to 400	≤0.5	0.1	L-W-H 45.5-31.0-46.0
TV25Y01	Input: 150V,220V,300V Output: 0.1V,0.333V...3.53V...7.07V	50 to 400	≤0.5	0.1	L-W-H 49.0-32.0-46.0

OUTLINE DRAWINGS



外形尺寸

单位:mm (inch)

型号	L	W	H	A1	A2	B
TV5202	32.0 (1.259)	—	26.0 (1.024)	7.62x2 (0.3x2)	15.24 (0.600)	20.0 (0.787)
TV52D02	31.0 (1.220)	—	30.0 (1.181)	7.62x2 (0.3x2)	15.24 (0.600)	20.0 (0.787)
TV5402	37.4 (1.472)	—	28.0 (1.102)	7.62x2 (0.3x2)	15.24 (0.600)	20.0 (0.787)
TV3501	32.0 (1.259)	25.0 (0.984)	34.0 (1.339)	15.24 (0.600)	7.62x2 (0.3x2)	25.4 (1.000)
TV39B01	35.0 (1.378)	32.0 (1.259)	30.0 (1.181)	7.5x2 (0.295x2)	7.5x2 (0.295x2)	22.5 (0.886)
TV3901	36.5 (1.437)	31.0 (1.220)	35.0 (1.378)	5.08x4 (0.2x4)	5.08x4 (0.2x4)	25.4 (1.000)
TV6301	47.0 (1.850)	44.0 (1.732)	31.0 (1.220)	8.0x3 (0.315x3)	8.0x3 (0.315x3)	43.0 (1.693)
TV25D01	50.0 (1.969)	26.0 (1.024)	46.0 (1.811)	40.0 (1.575)	----	4.0 (0.157)
TV25K01	44.0 (1.732)	31.0 (1.220)	46.0 (1.811)	36.0 (1.417)	----	4.0 (0.157)
TV25Y01	49.0 (1.929)	32.0 (1.260)	46.0 (1.811)	40.0 (1.575)	22.0 (0.866)	4.0 (0.157)

YUANXING Electronics Co., Ltd.

Phone: +86-533-381-8450
Fax: +86-533-381-8724

Pioneering Park, Science & Technology Industry Zone,
Zhangdian, Zibo, Shandong, PRC 255095

www.yuanxing.net
sales@yuanxing.net